



WEVER & DUCRÉ  
LIGHTING

# MICK WALL 2.0

159454K3

Project
Type
Notes
Quantity
Date

## GENERAL

Wall  
 Surface  
 Jet Black + Gold  
 IP20  
 Interior  
 455 lm  
 9005<sup>a</sup>

## LED

2700 K  
 CRI 90  
 L80 / 50000 h  
 3-step binning

## OPTICAL

Beam angle 18°

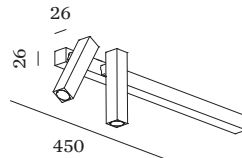
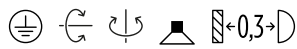
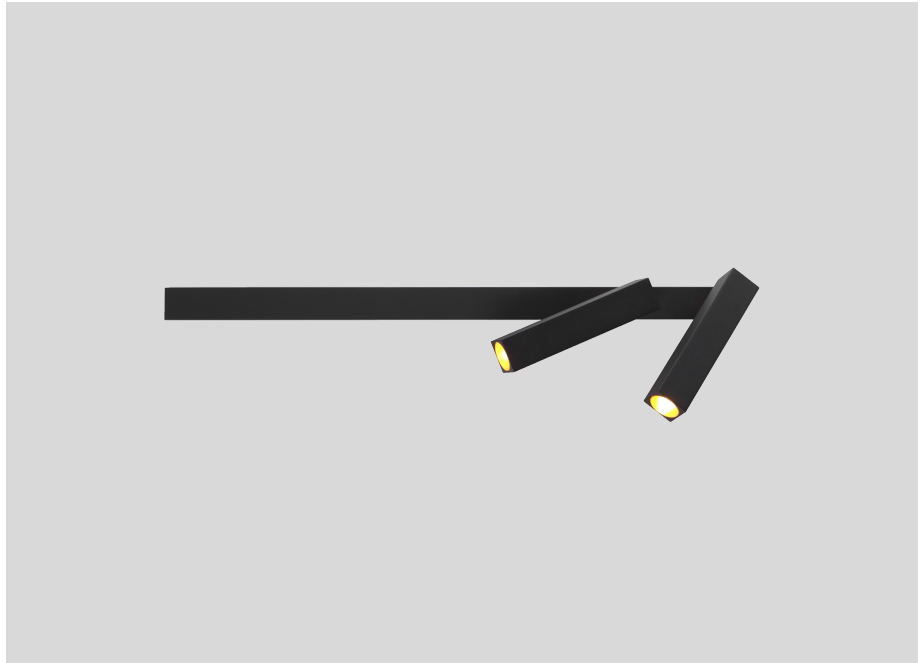
## PHYSICAL

Length 450 mm  
 Width 26 mm  
 Height 26 mm  
 0.62 kg  
 Tilt min 90°  
 Tilt max 90°  
 Rotation 350°

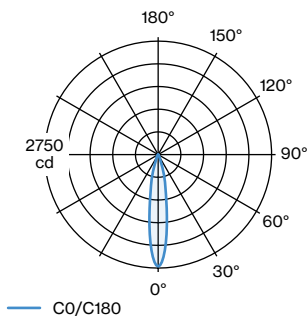
## ELECTRICAL

incl. PS | phase-cut dim  
 220 - 240 V  
 Total connected power 13 W  
 LED Inset 11 W  
 PC1  
 Safety distance 0.3 m

<sup>a</sup> RAL Palette colors may deviate slightly due to production conditions.



## LIGHT DISTRIBUTION





WEVER & DUCRÉ  
LIGHTING

# MICK WALL 2.0

159454K3

## CONE DIAGRAM

18°

h (m)	E0° (lx)	ø (m)
1	2710	0.31
2	678	0.62
3	301	0.93
4	169	1.25
5	108	1.56