



WEVER & DUCRÉ
LIGHTING

SARA

on track 1.0 LED

157164B4

Project
Type
Notes
Quantity
Date

GENERAL

Ceiling
 Track
 Jet Black
 IP20
 Interior
 530 lm
 9005^a

LED

3000 K
 CRI 80
 L70 / 50000 h
 3-step binning

OPTICAL

Flood
 Beam angle 34°

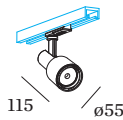
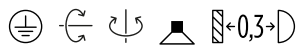
PHYSICAL

Diameter 55 mm
 Height 115 mm
 0.24 kg
 75 (adapter)mm
 Tilt min 90°
 Tilt max 90°
 Rotation 355°

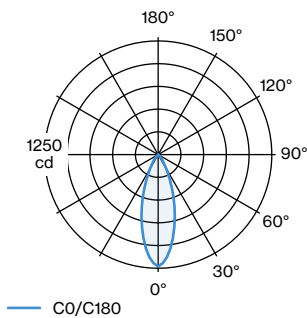
ELECTRICAL

phase-cut dim
 220 - 240 V
 Total connected power 7.9 W
 PCI
 Safety distance 0.3 m

^a RAL Palette colors may deviate slightly due to production conditions.



LIGHT DISTRIBUTION



[157164B4] The technical data represent rated values for an ambient temperature of 25°C. The data values for the luminous flux are initially subject to a tolerance of +/- 10%, those for December 15, 2020 the electrical connected load are initially subject to a tolerance of +/- 10%, and those for the colour temperature are initially subject to a tolerance of +/- 150 K. No liability is assumed for typographical or printing errors. The general terms and conditions of Wever & Ducré BVBA apply.
 © Wever & Ducré BVBA · Spinnerijstraat 99/21 · 8500 Kortrijk · Belgium · www.weverducre.com



WEVER & DUCRÉ
LIGHTING

SARA

on track 1.0 LED

157164B4

CONE DIAGRAM

flood 34°

h (m)	EO° (lx)	ø (m)
1	1230	0.62
2	307	1.23
3	137	1.85
4	76	2.46
5	49	3.08

Maintenance Factors

Operating Time [h]	10 000	20 000	30 000	40 000	50 000
LLMF	0.94	0.88	0.83	0.77	0.72
LSF	1	1	1	1	1

MF	LMF × RSMF × LLMF × LSF	RSMF ^a	Room Surface Maintenance Factor
MF	Maintenance Factor	LLMF	Lamp Lumens Maintenance Factor
LMF ^a	Luminaire Maintenance Factor	LSF	Lamp Survival Faktor

^a According to "CIE 97, Maintenance of indoor electric lighting systems", 2005, ISBN 3-900-734-34-8. The values must be determined by the planner.

Electrical

DIMMER

TYPE	COLOUR	L · W · H (MM)	ORDERCODE
DIMMER FOR SWITCH	Signal Black	18-48-46	9 0 0 1 9 0 1 7
DIMMER DIN RAIL	Pure White	55-17-90	9 0 0 1 9 0 1 8

Track Profile 1m

TYPE	COLOUR	L · W · H (MM)	ORDERCODE
1-phase track surface/suspended	Signal White	1000-30-20	9 0 0 1 4 0 0 1
1-phase track surface/suspended	Jet Black	1000-30-20	9 0 0 1 4 0 0 7
1-phase track recessed	Signal White	1000-50-20	9 0 0 1 4 1 1 8
1-phase track recessed	Jet Black	1000-50-20	9 0 0 1 4 1 1 9

Track Profile 2m

TYPE	COLOUR	L · W · H (MM)	ORDERCODE
1-phase track surface/suspended	Signal White	2000-30-20	9 0 0 1 4 0 0 2
1-phase track surface/suspended	Jet Black	2000-30-20	9 0 0 1 4 0 0 8
1-phase track recessed	Signal White	2000-50-20	9 0 0 1 4 1 2 0
1-phase track recessed	Jet Black	2000-50-20	9 0 0 1 4 1 2 1



WEVER & DUCRÉ
LIGHTING

SARA

on track 1.0 LED

157164B4

Track Profile 3m

TYPE	COLOUR	L - W - H (MM)	ORDERCODE
1-phase track surface/suspended	Signal White	3000-30-20	9 0 0 1 4 0 0 3
1-phase track surface/suspended	Jet Black	3000-30-20	9 0 0 1 4 0 0 9
1-phase track recessed	Signal White	3000-50-20	9 0 0 1 4 1 2 2
1-phase track recessed	Jet Black	3000-50-20	9 0 0 1 4 1 2 3

T-Connector

TYPE	COLOUR	ORDERCODE
1-phase track AA-A	Pure White	9 0 0 1 4 0 1 0
1-phase track AA-A	Signal Black	9 0 0 1 4 0 1 1
1-phase track BB-B	Pure White	9 0 0 1 4 0 1 2
1-phase track BB-B	Signal Black	9 0 0 1 4 0 1 3
1-phase track BB-A	Pure White	9 0 0 1 4 0 1 4
1-phase track BB-A	Signal Black	9 0 0 1 4 0 1 5
1-phase track AA-B	Pure White	9 0 0 1 4 0 1 6
1-phase track AA-B	Signal Black	9 0 0 1 4 0 1 7

End Feed

TYPE	COLOUR	L - W - H (MM)	ORDERCODE
1-phase track left	Pure White	88-30-20	9 0 0 1 4 0 1 8
1-phase track left	Signal Black	88-30-20	9 0 0 1 4 0 1 9
1-phase track right	Pure White	88-30-20	9 0 0 1 4 0 2 0
1-phase track right	Signal Black	88-30-20	9 0 0 1 4 0 2 1

Connector

TYPE	COLOUR	L - H (MM)	ORDERCODE
1-phase track straight	Pure White	65-17	9 0 0 1 4 0 2 2
1-phase track straight	Signal Black	65-17	9 0 0 1 4 0 2 3

L-Connector

TYPE	COLOUR	L - W - H (MM)	ORDERCODE
1-phase track left	Pure White	88-55-20	9 0 0 1 4 0 2 4
1-phase track left	Signal Black	88-55-20	9 0 0 1 4 0 2 5
1-phase track right	Pure White	88-55-20	9 0 0 1 4 0 2 6
1-phase track right	Signal Black	88-55-20	9 0 0 1 4 0 2 7

End Cap

TYPE	COLOUR	L - W - H (MM)	ORDERCODE
1-phase track Left/Right	Pure White	24-30-20	9 0 0 1 4 0 2 8
1-phase track Left/Right	Signal Black	24-30-20	9 0 0 1 4 0 2 9

Middle Feed

TYPE	COLOUR	L - W - H (MM)	ORDERCODE
1-phase track straight	Pure White	145-30-20	9 0 0 1 4 0 3 6
1-phase track straight	Signal Black	145-30-20	9 0 0 1 4 0 3 7

[157164B4] The technical data represent rated values for an ambient temperature of 25°C. The data values for the luminous flux are initially subject to a tolerance of +/- 10%, those for December 15, 2020 the electrical connected load are initially subject to a tolerance of +/- 10%, and those for the colour temperature are initially subject to a tolerance of +/- 150 K. No liability is assumed for typographical or printing errors. The general terms and conditions of Wever & Ducré BVBA apply.
© Wever & Ducré BVBA · Spinnerijstraat 99/21 · 8500 Kortrijk · Belgium · www.weverducre.com



WEVER & DUCRÉ
LIGHTING

SARA

on track 1.0 LED

157164B4

Track Adapter

TYPE	COLOUR	ORDERCODE
1-phase track	Signal Black	9 0 0 1 4 0 4 3
1-phase track	Pure White	9 0 0 1 4 0 4 4

Mounting Bracket

TYPE	L · W · H (MM)	ORDERCODE
1-phase track recessed	38·37·21	9 0 0 1 4 1 0 0

Suspension Set 1.5m

TYPE	COLOUR	ORDERCODE
1-phase track suspended	Signal White	9 0 0 1 4 1 0 1
1-phase track suspended	Jet Black	9 0 0 1 4 1 0 2

Suspension Set 3.0m

TYPE	COLOUR	ORDERCODE
1-phase track suspended	Signal White	9 0 0 1 4 1 0 3
1-phase track suspended	Jet Black	9 0 0 1 4 1 0 4

Coverplate End Feed

TYPE	COLOUR	ORDERCODE
1-phase track recessed	Pure White	9 0 0 1 4 1 2 4
1-phase track recessed	Signal Black	9 0 0 1 4 1 2 5

Coverplate I/L/T/X

TYPE	COLOUR	ORDERCODE
1-phase track recessed	Pure White	9 0 0 1 4 1 2 6
1-phase track recessed	Signal Black	9 0 0 1 4 1 2 7